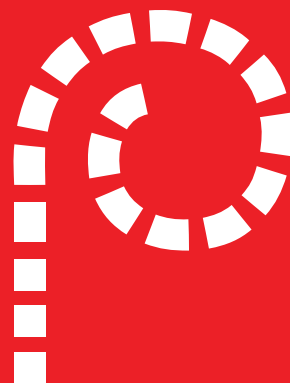


SPECIALISED APPLICATION ROLLER SHUTTERS



SPECIALISED APPLICATION ROLLER SHUTTERS

HIGH WIND RESISTANT ROLLER SHUTTERS

Roll-Up Serranda's High Wind Resistant roller shutters are capable of withstanding the excessive wind forces experienced in areas susceptible to wind speeds of up to 140km/hour.

Specification

Load tests done per SANS 0237:1991, section 7 supported with SANS 160:1989, section 5.4.4 Terrain Categories:

Category 4: Positive load 0.41 Kpa
Negative load 0.30 Kpa

Category 3: Positive load 0.53 Kpa
Negative load 0.38 Kpa

Category 2: Positive load 0.97 Kpa
Negative load 0.70 Kpa

Material

- High wind resistant doors are manufactured with galvanised 1.0mm slats
- Single wall profiled galvanised slat curtain

Benefits

- Suitable for wind loads Category 2 to 4
- Features steel wind lock guides and slat end wind locks
- Custom manufactured
- Durable and reliable
- Economical installation and maintenance
- Optimised utilisation of space
- Test certificate available on request

Size Range

- Maximum width is 7000mm
- Maximum height is 7000mm
- Maximum exposed shutter area up to 48.62m²

Finishes

- Mill finished
- Powder coated in one of 16 UV / Non-UV resistant polyester / epoxy colour options
- Fully galvanised

Operation

- Chain operation
- Crank operation includes a manually operated gearbox in place of the endless chain
- Electrical operation with various switching options, push button, key switch, remote, etc.

Popular Applications

- Coastal areas
- Areas where high wind speeds are experienced
- Any industrial environment that faces the prevailing wind



Special wind lock guide



Actual load test door



Wind lock / end lock

SPECIALISED APPLICATION ROLLER SHUTTERS

TORNADO WIND RESISTANT ROLLER SHUTTERS

Roll-Up Serranda's Tornado Wind Resistant roller shutters are capable of withstanding extreme wind forces as experienced during a tropical storm.

Specification

- Load tests as per SANS 0237:1991 section 7 and SANS 0160:1989 section 5.4.4 Tested to 1.69kN/m² positive / 1.36 kN/M² negative

Material

- Double Wall Aluminium roller shutters are manufactured from 100mm x 8mm aluminium slats with a double wall cavity extrusion

Benefits

- Load tests proved that these doors are capable of withstanding gale force winds without any permanent deformation of the slats, supports, shaft or operating mechanism
- These roller shutter doors are ideal for coastal conditions
- Features steel wind lock guides and slat end wind locks that can withstand the extreme winds experienced during hurricanes and tornados
- Custom manufactured
- Durable and reliable
- Economical installation and maintenance
- Optimised utilisation of space

Size Range

- Suitable for wind speeds of up to 140km/hour
- Maximum width is 4200mm
- Maximum height is 3600mm
- Special sizes can be considered on request

Finishes

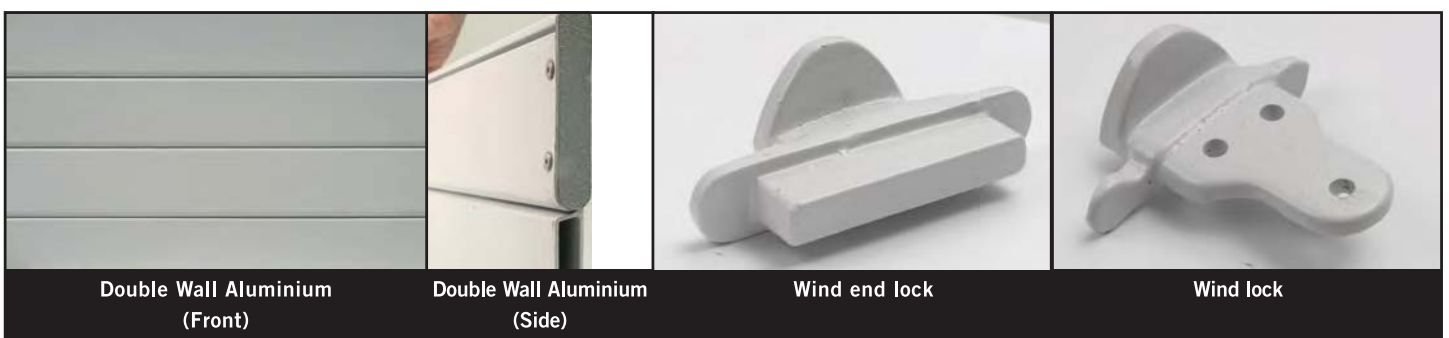
- Mill finished
- Anodized aluminium
- Powder coated in one of 16 UV / Non-UV resistant polyester / epoxy colour options

Operation

- Push up options are available within certain size limits
- Chain operation through endless chain and gear
- Crank operation includes a manually operated gearbox in place of the endless chain
- Electrical operation

Popular Applications

- Coastal areas
- Areas in the path of tornados/hurricanes
- Pier frontages and zones where direct wind loading may be experienced



SPECIALISED APPLICATION ROLLER SHUTTERS

1.5 HOUR FIRE RATED ROLLER SHUTTERS

Roll-Up Serranda's Fire Rated door is the first of its kind in South Africa. It is a 1.5 hour fire rated door with fusible link and descent control mechanism and was developed to satisfy the demand for **permanently** open security doors that require no electric sensors or hydraulic shutting mechanisms in the event of fire.

This fire door has attracted great interest from companies where a need for this type of protection has been identified by a risk assessor, as well as from mining houses and high-tech electrical instrument manufacturing concerns and tyre manufacturers. This fire rated door cannot be electrically operated but can be integrated with existing fire protection systems.

Specification

- Temperature controlled to 1051°C in the furnace to follow the ISO standard time-temperature curve in accordance with SABS 0177-2:2005 and SANS 10177 Part 2-2005 Class C

Material

- Single walled profiled galvanized slat curtain
- 1.5 hour fire rated doors are manufactured with galvanized 1.0 mm slats

Benefits

- 1.5 hour fire rated
- Ideal for fire protection requirements
- Features steel guides and steel cast slat end locks
- Custom manufactured
- Durable and reliable
- Economical installation and maintenance
- Optimised utilisation of space
- Special design end plates and cover box
- TUV Rheinland Test Certificate available on request

Size Range

- Maximum width up to 6000mm
- Maximum height up to 6000mm
- Maximum exposed shutter area up to 36 m²

Finishes

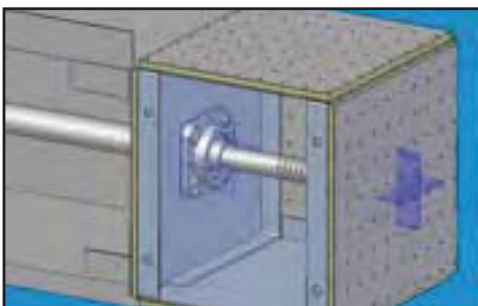
- Mill Finished
- Fully galvanised

Operation

- Temperature fuse link and auto descent control

Popular Applications

- High risk fire applications
- Areas requiring protection against fire
- Sports stadiums
- Mining environments



Special cover box assembly



Descent control mechanism



Fusible link and release mechanism

SPECIALISED APPLICATION ROLLER SHUTTERS

2 HOUR FIRE RATED ROLLER SHUTTERS

Roll-Up Serranda's Fire Rated door is the first of its kind in South Africa. It is a two hour fire rated door with a fusible link and descent control mechanism and was developed to satisfy the demand for **permanently** open security doors that require no electric sensors or hydraulic shutting mechanisms in the event of fire.

This fire door has attracted great interest from companies where a need for this type of protection has been identified by a risk assessor, as well as from mining houses and high-tech electrical instrument manufacturing concerns and tyre manufacturers. This fire rated door cannot be electronically operated but can be integrated with existing fire protection systems.

Specification

- Temperature controlled to 1051°C in the furnace to follow the ISO standard time-temperature curve in accordance with SABS 1253:1994 Class C

Material

- Single walled profiled galvanised slat curtain
- 2 hour fire rated doors are manufactured with galvanised 1.0mm slats
- Cover box is manufactured with a special heat resistant/retardant material

Benefits

- SABS 1253 approved 3.5 x 3 two hour fire rated door
- Can withstand temperatures of up to 1051°C
- Effective as a smoke barrier
- Resistant to fire
- Maintains structural strength under extreme temperatures
- Automatic descent control with a 71° C fuse link
- Features safety control mechanisms
- Custom manufactured
- Durable and reliable
- Economical installation and maintenance
- Optimised utilisation of space

Size Range

- Up to 3200 x 3500mm
- Standard up to 2300 (h) x 2000mm (w)
- Extended standard up to 3200 (h) x 3500 mm(w)

Finishes

- Mill finished
- Fully galvanised

Operation

- Available in push-up option only

Popular Applications

- Mine shafts and fuel depots
- High risk specific fire rated applications
- Tyre manufacturers and dealers
- High-tech electrical instrument manufacturers



End Lock-standard steel slat profile



Descent Control Mechanism



Fusible Link and release mechanism

SPECIALISED APPLICATION ROLLER SHUTTERS

DOUBLE WALL ALUMINIUM ROLLER SHUTTERS

Roll-Up Serranda's double wall aluminium roller shutter is both petrol bomb resistant & gas leak proof. It has been tested according to SABS standards and is capable of withstanding the force of both a high impact petrol bomb attack or it can seal off an area against gas leaks & prevent gasses from spreading into or out of a building. They are manufactured from 100mm x 8mm aluminium slats with a double wall cavity extrusion.

Specification

- SABS tested and approved to ISO 14520 Part 1, Annex E

Material

- This roller shutter is a unique aluminium door manufactured with a double wall cavity extrusion

Benefits

- Tests proved that these doors are capable of withstanding high impact attack without any permanent deformation of the slats, supports, shaft or operating mechanism
- The door features steel wind lock guides and slat end wind locks that can withstand a high impact attack
- Custom manufactured
- Durable and reliable
- Economical installation and maintenance
- Optimised utilisation of space
- Dust, sound & weatherproof
- Able to withstand high wind pressure
- Its strength exceeds that of any other steel slatted product
- Can be modified to protect against gas, petrol bombs & high wind pressures
- These roller shutters feature special guides
- The guides are fitted with PVC edges for silent running and no lubrication is required
- These doors also feature aluminium T-Sections to resist weathering
- Double Wall Aluminium doors are visually appealing
- Tests prove that these doors are capable of sealing an area in the case of accidental or deliberate gas leaks

Size Range

- Maximum width is 3000mm
- Maximum height is 2500mm
- Special sizes can be considered on request

Finishes

- Anodised aluminium
- Powder coated in one of 16 UV / Non-UV resistant polyester/epoxy colour options

Operation

- Push up options are available within certain size limits
- Chain operation through endless chain and gear
- Crank operation includes a manually operated gearbox in place of the endless chain
- Electrical operation, to suit customer requirements

Popular Applications

- Areas vulnerable to attack, such as banks and ATM's
- Consulates and embassies
- Cash in transit depots
- Manufacturing plants where the danger of toxic substance leaks exists



SPECIALISED APPLICATION ROLLER SHUTTERS

HIGH FREQUENCY ROLLER SHUTTERS

High Frequency roller shutter doors are suitable for high frequency duty cycle applications that also require high security features such as cash in transit facilities and high traffic areas such as basements, parking garages and townhouse complexes.

Material

High frequency roller shutters can be manufactured from galvanised steel or double wall aluminium extruded slats

Benefits

- Available in a wide variety of designs such as Solid, Fenestre, See-Thru and Eyeball
- Offers high security
- Effortless operation
- No limits on frequency
- Custom manufactured
- Durable and reliable
- Economical installation and maintenance
- Optimised utilisation of space

Size Range

- Maximum width is 7000mm
- Maximum height is 4000mm
- Special sizes can be considered on request

Finishes

High Frequency roller shutters are available in the following finishes dependant on material type:

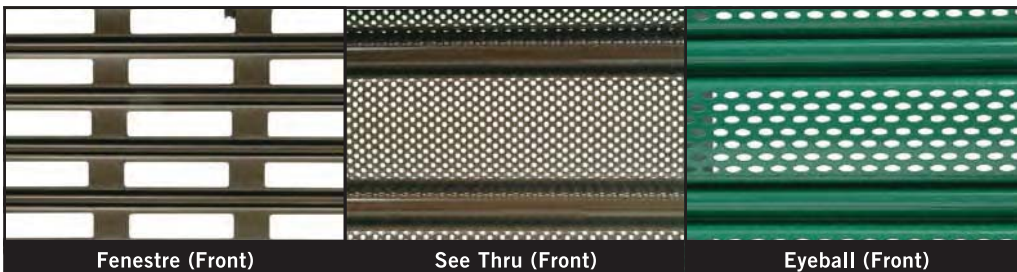
- Mill Finish
- Powder coated in one of 16 UV / Non UV resistant polyester / epoxy colour option
- Fully galvanised

Operation

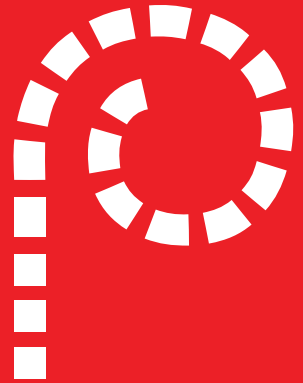
High Frequency doors are electrically operated. The unit is fitted with an emergency hand operator for use in the event of power failure. Many other features can be supplied, such as card readers, inductive loop circuits, and automatic operation, amongst others.

Popular Applications

- Basements
- Parking garages
- Townhouse complexes
- Housing estates



SPECIALISED APPLICATION ROLLER SHUTTERS



Portion 6 of 17 Aero-ton Road, Aero-ton, Johannes-burg
PO Box 27502, Bertsham, 2013. **Tel 0860-ROLLUP**
Tel +27 11 494 5809, Fax +27 11 494 5813
E-mail enquiries@rollup.co.za, www.rollup.co.za